



- No more need for stocking consumables
- Greatly reduced running costs
- Labour saving and less stress for the animals
- Better fish welfare and thus increased research level



ZebTEC Stand-Alone "Active Blue" Technology

- Maintenance Free System
- Monitoring System
- Robustness
- Flexibility
- Easy Tank Handling
- Unique Technical Features
- Clean Tank Technology



AQUATIC SOLUTIONS

TECNIPLAST
*innovation through passion*SM

1/Active Blue Technology

Maintenance Free System, no more consumables, saving you time and money achieving optimal water quality! Tecniplast introduces a self cleaning mechanical filtration at stand-alone rack level, a real unique innovation. Entirely thought, designed and manufactured at Tecniplast, our technology guarantees the finest filtration available on the market for this product. A unique self cleaning drum filter is used to obtain a 40 micron or even 26 micron fine mechanical filtration, eliminating the need to have pre-filters and fine mechanical filters. When the drum filter nets gets dirty, the system automatically back-flushes it, removing all the suspended solids and guaranteeing the best water quality for your animals without manual maintenance. The back flushing water is counted as replacement water volume, thus saving in extra water and consequently extra costs. Optimization is a must!

- **No more need for stocking consumables.**
- **Greatly reduced running costs.**
- **Labour saving and less stress for the animals.**
- **Better fish welfare and thus increased research level!**

2/The New ZebTEC Stand Alone

Reaching excellence not only in self cleaning filtration!
On top of featuring the Active Blue technology, **Tecniplast New Stand Alone system** brings a series of great advantages and innovative solutions at different levels:

Water Quality

Fine mechanical filtration: enhanced consumables free fine mechanical filtration, down to 40 and even 26 micron using the Active Blue technology.

Water disinfection: Highest UV disinfection killing rate (up to 180.000 µW/cm²/sec).

Biofiltration

Tecniplast is now using the most innovative biofilter material, called Biochip. It is a unique biofiltering support able to provide the best and highest ratio between space utilized and nitrifying surface available. Thanks to the unique shape, this material is able to clean itself and every biofilm accumulation is avoided thanks to the continuous movement of the disks. Being entirely injection molded, its durability is basically everlasting.

Chemical filtration

Available as an optional item, our activated and acid washed carbon bag can be added whenever needed.

Advanced monitoring System

Better graphic and remote control. Great visibility and ease of use are the basic features of our new monitoring system. All the main important information are reported on the first page. Thanks to the USB port, data and graphics are easily downloadable using a pen drive. Moreover, you can manage remotely the system through the web and be notified of alarms via text message or e-mail.

Robustness

All the material we used and the design we have implemented are focused to achieve an almost everlasting product. Molded, painted 316L stainless steel racks are just some of the important features which show our robust approach in product design.

Flexibility

The new Zebtec SA comes in different configurations: 4, 5 or 6 levels and can feature 3,5 l, 8,0 l or 1,1 l tanks on the same rack without any need of replacing the manifolds. Divider options available.

Easy tank handling

All our tanks are positioned on dedicated black runners, which makes it extremely easy to slide them in and out from the rack. Moreover, the dark colour provides environmental enrichment and keeps fish calm: they know where they are swimming.

Unique technical features

Inspired by you: at Tecniplast we designed and developed an innovative solution for water delivery at tank level. Our "push and pull" valve with fine tune flow control prevents accidental water loss and allows for the end user to adjust flow to each tank. When water is delivered the valve locks the tank in the proper position. By pulling the valve up the water flow is stopped and the tank is easily removed. Each valve has a visual indicator which allows the operator to see at a glance if a tank has the proper water flow. Many of our systems come standard with pressure regulation to guarantee consistent flow from 5 WCH to a steady drip and everything in between.

Clean tank technology

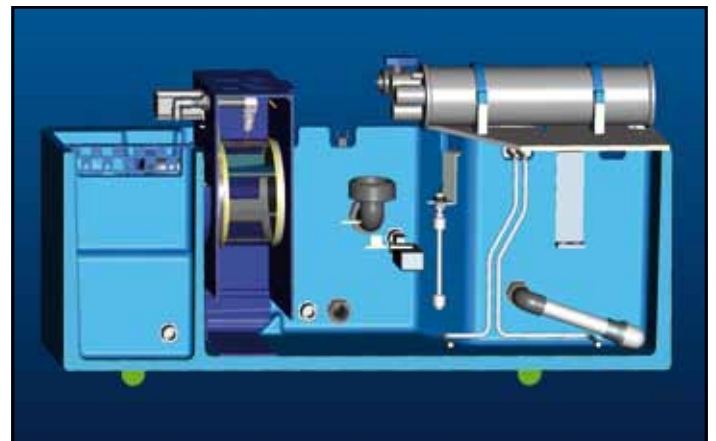
Reducing maintenance and saving you money! You will find that by utilising our patented unique active siphon system along with the special tank shape and colour, the maintenance required is significantly reduced, unlike other manual systems that use manual tank siphoning and algae removal, saving you time and money.



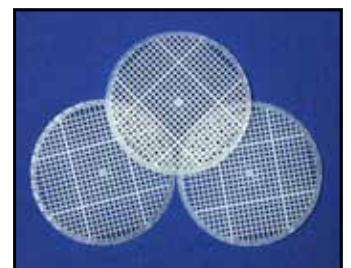
AQUATIC SOLUTIONS

ZebTEC Stand-Alone "Active Blue" Technology

Active Blue Technology



Biofiltration



Monitoring System



TECHNICAL SHEET

ZebTEC Stand-Alone rack (4 rows)

1620 x 565 x 1800 mm

ZebTEC Stand-Alone rack (4+1 rows)

1620 x 565 x 2000 mm

ZebTEC Stand-Alone rack (5 rows)

1620 x 565 x 2060 mm

ZebTEC Stand-Alone rack (5+1 rows)

1620 x 565 x 2250 mm

ZebTEC Stand-Alone rack (6 rows)

1620 x 565 x 2350 mm

Robustness



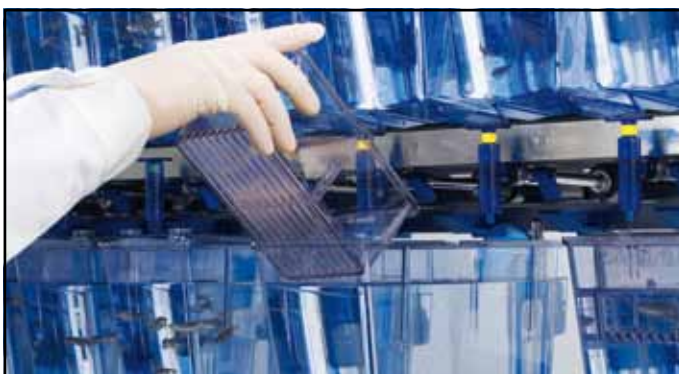
Unique Technical Features



Flexibility



Easy Tank Handling



Clean Tank Technology



Main Accessories

- Complete breeding tank.
- Tanks and accessories available in a higher grade plastic (PSU).
- Baffle for adult fish + Baffle with fine net (300 - 500 - 800 µm).
- Artemia Hatchery.
- Divider for 3.5L tank.
- Nets.
- Electrostatic labels.

Related Products

To maximise operational efficiency and learn more about these products contact your local representative.



Tritone.
The one and only automatic feeding system for aquatics.



650A Series Cabinet Washer.
The first specifically designed for aquatic systems.



Tecniplast aquatic solutions: **Xenopus spp. Housing System** also available

ENVIRONMENTAL SUSTAINABILITY: MINIMIZE IMPACT MAXIMIZING VALUE

What Tecniplast did to become leader in sustainability:

Company:

- Quality Management System Certification according to ISO 9001 and Environmental Management System Certification according to ISO 14001.
- Certified Environmental Report according to Eni Foundation Enrico Mattei Guidelines.

Products:

- Life Cycle Assessment (LCA) according to ISO 14040 and ISO 14044.
- Carbon Footprint according to PAS 2050.
- Environmental Data Sheet according to ISO 14025.
- Contribution to credits under the LEED rating system.



ISO-9001
Cert. n° 0875



ISO-14001
Cert. n° 0256A/0



HEADQUARTERS

ITALY | Tel. +39 0332 809711 • www.tecniplast.it • E-mail: tecnicom@tecniplast.it

SISTER COMPANIES

AUSTRALIA/NEW ZEALAND | Tel. + 61 2 8845 6500 • www.tecniplast.it • E-mail: info@tecniplast.com.au

CHINA | Tel. + 86 21 50810920 • www.tecniplast.cn • E-mail: tecniplastchina@tecniplast.it

FRANCE | Tel. 04 72 52 94 41 • www.tecniplast.fr • E-mail: info@tecniplast.fr

GERMANY | Tel. 08805 921320 • www.tecniplast.de • E-mail: info@tecniplast.de

UNITED KINGDOM | Tel. 0845 0504556 • www.tecniplast.it • E-mail: info@tecniplastuk.com

JAPAN | Tel. + 03 5770 5375 • www.tecniplast.it • E-mail: info@tecniplastjapan.co.jp

USA/CANADA | Toll Free: 877.669.2243 • www.tecniplastusa.com • E-mail: info@tecniplastusa.com

To find your local distributor, please visit www.tecniplast.it

Tecniplast reserves the right to change or modify product and or specifications without notice or obligation.
Zebtec is a Tecniplast trademark.